

DESCRIPTION

AMC MODEL SWN-218-2DR-STD OPTION: 052 IS A SINGLE POLE TWO THROW SWITCH WITH AN INSERTION LOSS OF 2.5 dB MAXIMUM, AN ISOLATION OF 60 dB MINIMUM, IT IS DESIGNED TO OPERATE BETWEEN THE 0.5 TO 2 GHz FREQUENCY RANGE.

SPECIFICATIONS

- FREQUENCY RANGE: 0.5 TO 2 GHz
- INSERTION LOSS: 2.5 dB MAXIMUM
- ISOLATION: 60 dB MINIMUM
- VSWR: 2.0:1
- RISE TIME: 10 nSec TYPICAL, 15 nSec MAXIMUM
- FALL TIME: 10 nSec TYPICAL, 15 nSec MAXIMUM
- DELAY ON: 75 nSec TYPICAL, 100 nSec MAXIMUM
- DELAY OFF: 75 nSec TYPICAL, 100 nSec MAXIMUM
- POWER INPUT: (CW)+20 dBm
- SURVIVAL POWER: 1 WATT CW, 10 WATTS PEAK 1 uSec
- CONTROL: TTL LOGIC "0" = J1-J2 ON
TTL LOGIC "1" = J1-J3 ON
- POWER SUPPLY: +5V @ 100 mA MAXIMUM
-5V @ 75 mA MAXIMUM
- CONNECTORS:
RF: SMA FEMALE
CONTROL: SOLDER PIN
- SIZE: 1.20" (L) x 1.00" (W) x 0.50" (H)
- WEIGHT: 1.5 OUNCE TYPICAL

OPTIONS

- 052 FREQUENCY RANGE 0.5 TO 2 GHz

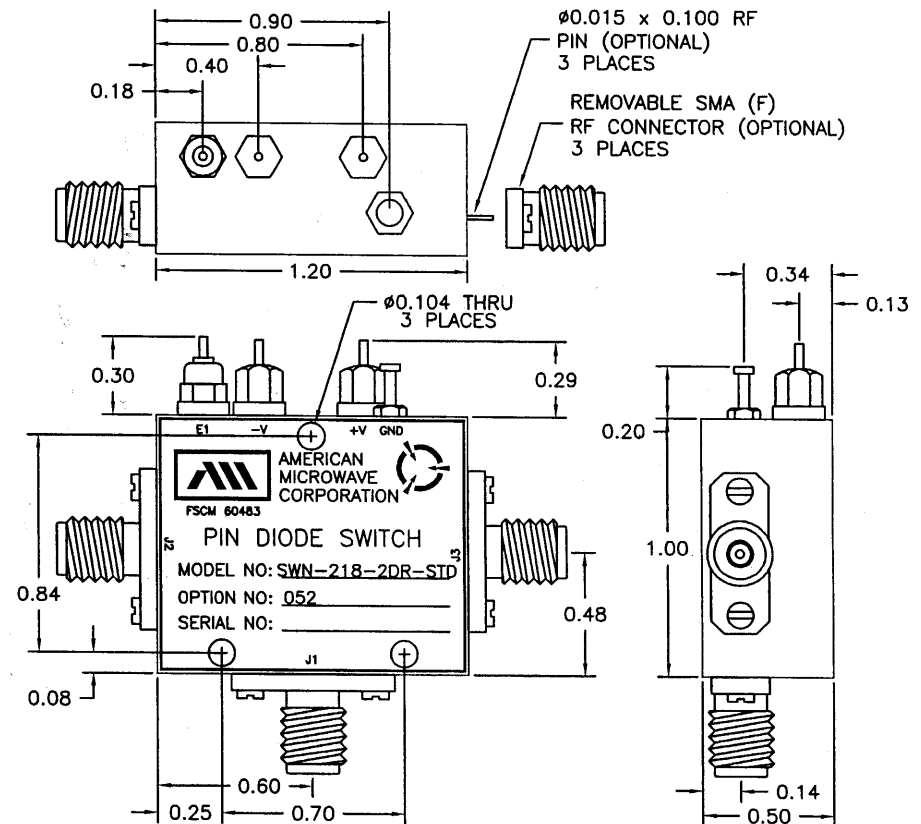
ENVIRONMENTAL RATINGS

- TEMPERATURE: -55°C TO +85°C (OPERATING)
-65°C TO +125°C (STORAGE)
- HUMIDITY: MIL-STD-202F, METHOD 103B COND. B
- SHOCK: MIL-STD-202F, METHOD 213B COND. B
- VIBRATION: MIL-STD-202F, METHOD 204D COND. B
- ALTITUDE: MIL-STD-202F, METHOD 105C COND. B
- TEMPERATURE CYCLE: MIL-STD-202F, METHOD 107D COND. A

NOTE: SPECIFICATIONS WILL VARY OVER OPERATING TEMPERATURE
NOTE: THE ABOVE SPECIFICATIONS ARE SUBJECT TO CHANGE OR REVISION

ALL DIMENSIONS ARE IN INCHES
TOLERANCES:
X.XX ±0.020
X.XXX ±0.010

REVISIONS				
ZONE	REV.	DESCRIPTION	DATE	APPROVED
-	-	ORIGINAL RELEASE JOB# 4112763	12/14/04	



AMERICAN MICROWAVE CORPORATION

7311-G GROVE ROAD
FREDERICK, MARYLAND 21704 USA
TEL: 301-662-4700 FAX: 301-662-4938
WEBSITE: www.americanmicrowavecorp.com
E-MAIL: sales@americanmicrowavecorp.com
ISO 9001:2000 CERTIFIED



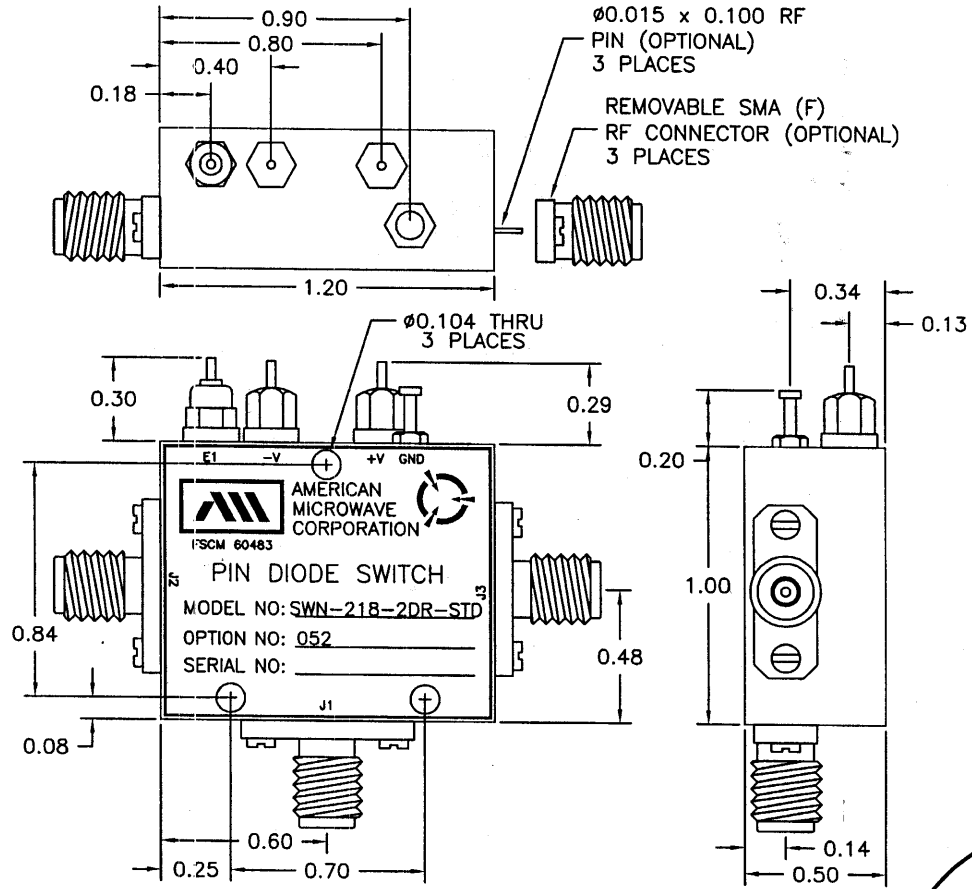
APPROVALS		DATE	TITLE				REV.
DRAWN <i>JCM</i>		12/14/04	PRODUCT FEATURE SWN-218-2DR-STD OPTION: 052 0.5 - 2 GHz SPDT PIN DIODE SWITCH				-
CHECKED <i>RA</i>		1/14/05	SIZE	FSCM NO.	DWG NO.	REV.	
ISSUED			A	60483	100-7236	-	
			SCALE N:S			SHEET	1 OF 3

DESCRIPTION

AMC MODEL SWN-218-2DR-STD OPTION: 052 IS A SINGLE POLE TWO THROW SWITCH WITH AN INSERTION LOSS OF 2.5 dB MAXIMUM, AN ISOLATION OF 60 dB MINIMUM, IT IS DESIGNED TO OPERATE BETWEEN THE 0.5 TO 2 GHz FREQUENCY RANGE.

REVISIONS				
ZONE	REV.	DESCRIPTION	DATE	APPROVED
-	-	ORIGINAL RELEASE JOB# 4112763	12/14/04	

MECHANICAL OUTLINE



ALL DIMENSIONS ARE IN INCHES
 TOLERANCES:
 X.XX ±0.020
 X.XXX ±0.010

AMERICAN MICROWAVE CORPORATION

7311-G GROVE ROAD
 FREDERICK, MARYLAND 21704 USA
 TEL: 301-662-4700 FAX: 301-662-4938
 WEBSITE: www.americanmicrowavecorp.com
 E-MAIL: sales@americanmicrowavecorp.com
 ISO 9001:2000 CERTIFIED



APPROVALS		DATE	TITLE			REV.
DRAWN <i>JCM</i>		12/14/04	MECHANICAL OUTLINE SWN-218-2DR-STD OPTION: 052 0.5 - 2 GHz SPDT PIN DIODE SWITCH			-
CHECKED <i>[Signature]</i>	ISSUED <i>[Signature]</i>		SIZE A	FSCM NO. 60483	DWG NO. 100-7236	
			SCALE N:S	SHEET 2 OF 3		